



10 BASE-T ISOLATION TRANSFORMER

P/N: TS2024 DATA SHEET

Feature



- Designed to Meet or exceed IEEE 802.3, 10 BASE-T Specifications.
- Surface mount, IC grade, transfer-molded package withstands 235 peak temperature profile.
- Available with common mode chokes for EMI suppression.
- Operation temperature range: 0°C to +70°C.
- Storage temperature range: -25 to +125 .

Electrical Specifications @ 25°C

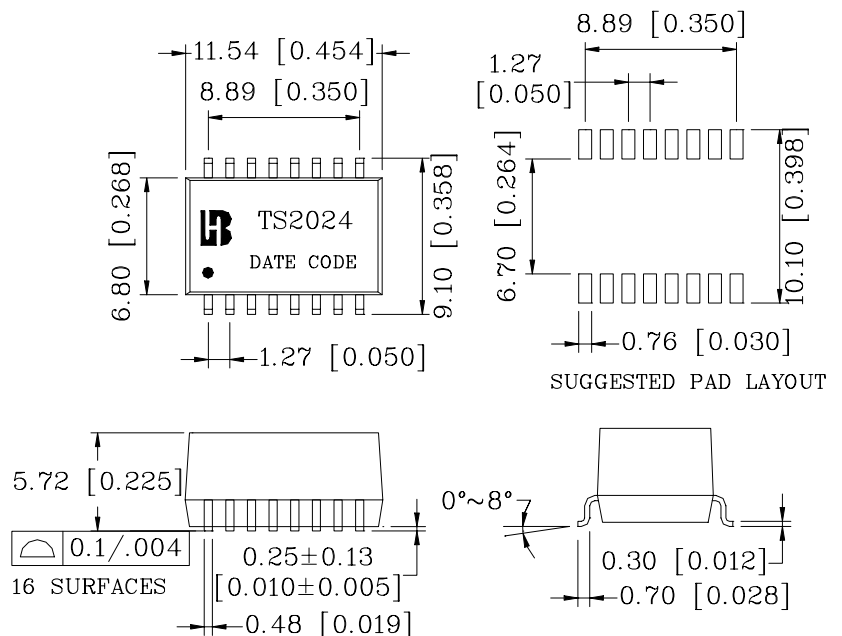
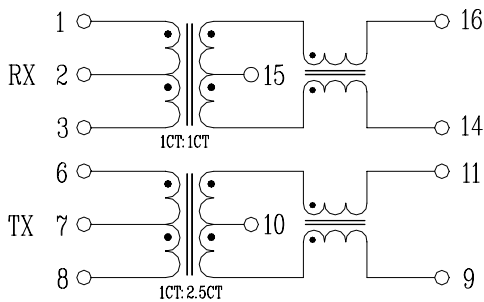
Part Number	Turns Ratio (±5%)		OCL (uH Min) @100KHz/20mVrms	C _{WV} (pF Max) @100KHz/20mVrms
	TX	RX		
TS2024	1CT: 2.5CT	1CT: 1CT	350	30

Continue

Part Number	L.L (uH Max) @100KHz/20mVrms	PRI DCR (Max)	PRI Pins	HI-POT (Vrms)
TS2024	0.8	0.6	(6-8)& (1-3)	1500

Schematic

Mechanical



Units: mm[Inches] Tolerance: xx.x0±0.25[0.010]
0.xx±0.05[0.002]